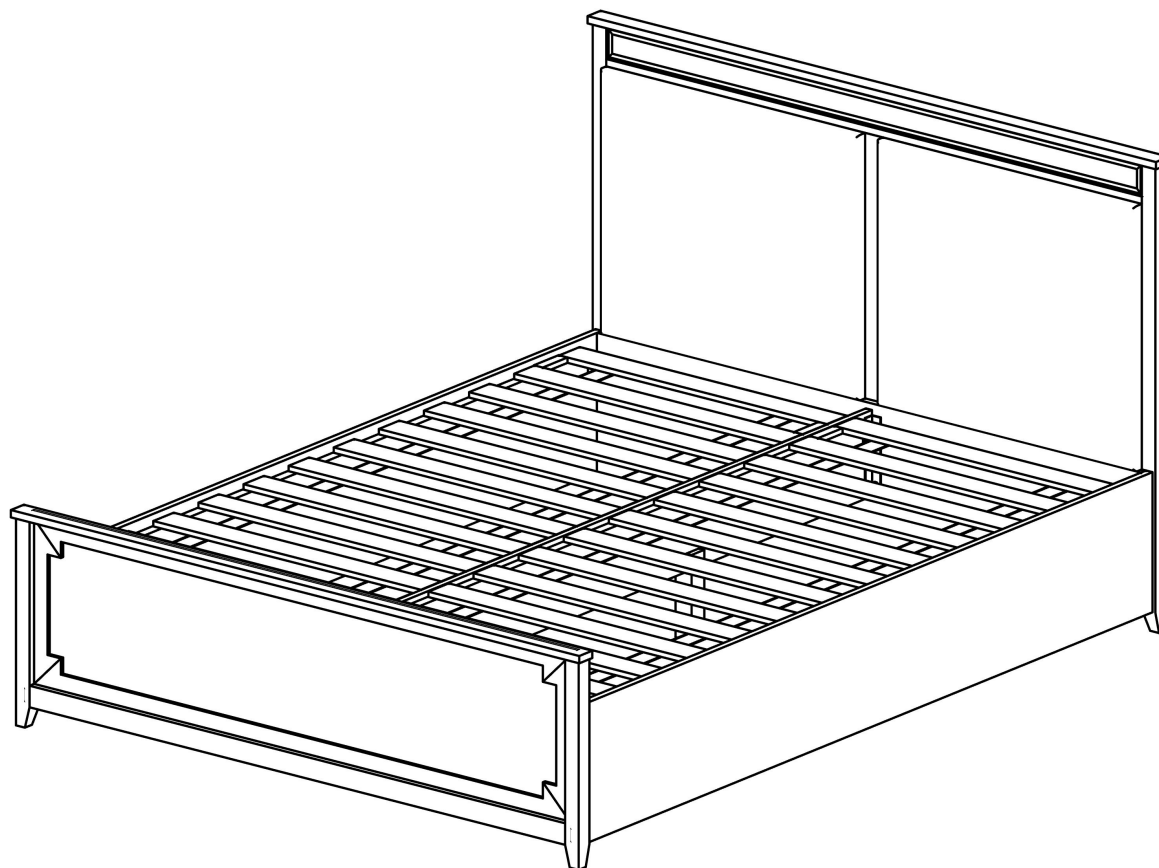


# ASSEMBLY INSTRUCTION



**Barrow rattan bed without storage**

**PRODUCT CODE: HOBED00164**

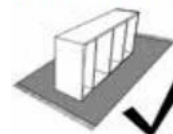
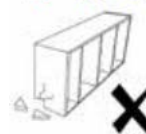
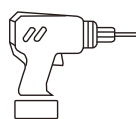
## ASSEMBLY RATING

The Assembly Rating is a 5-point system that shows the degree of effort needed in assembling a specific product (with 1 being easy and 5 being difficult).

For most products, two persons are recommended.

**EASY** ●●●○○ **DIFFICULT**

## Requirement for Assembly



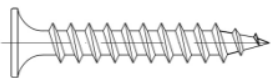
**2 PERSONS RECOMMENDED**

# HARDWARE DETAIL

# ASSEMBLED PRODUCT

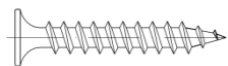
## HARDWARE

## QTY.



Screw 25 mm

32 nos



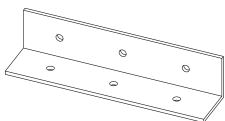
Screw 16 mm

44 nos



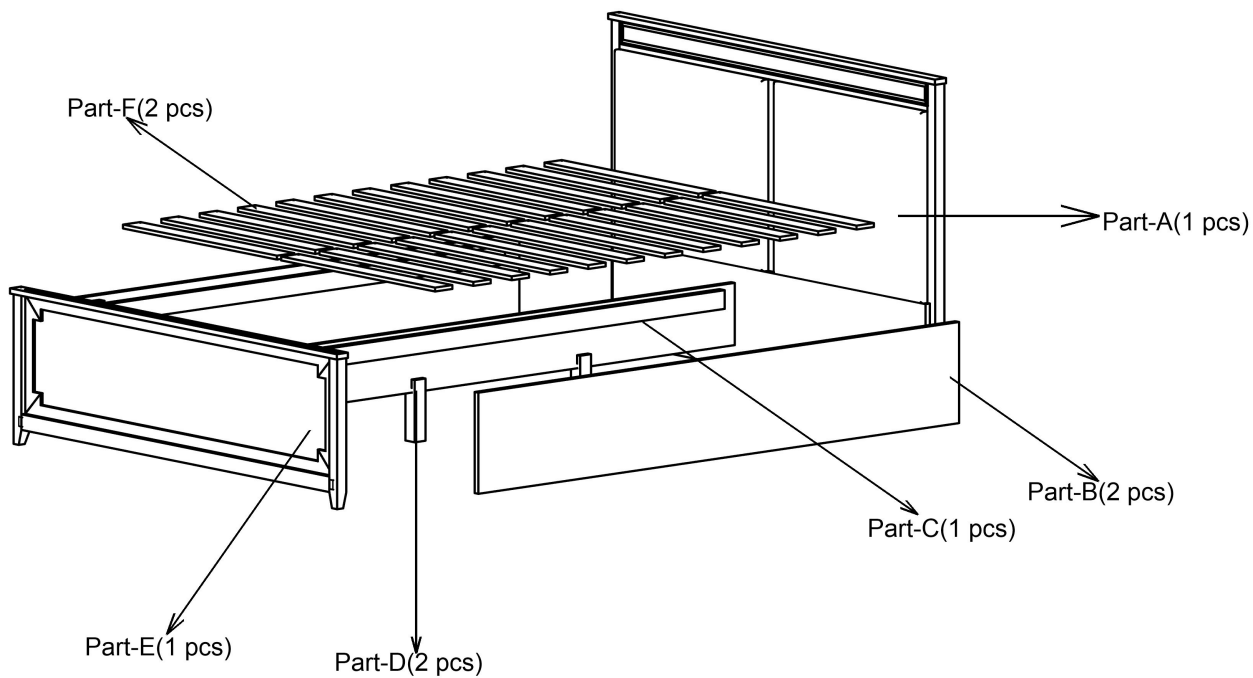
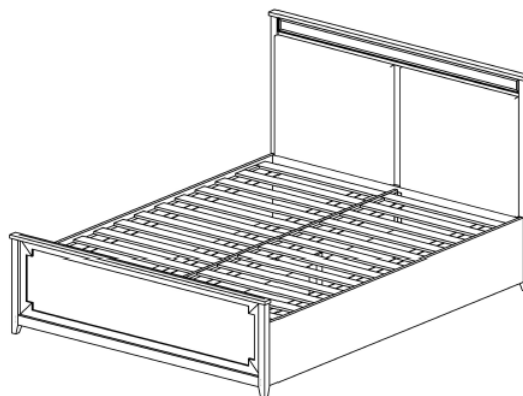
Metal L-angle 250 mm

4 nos

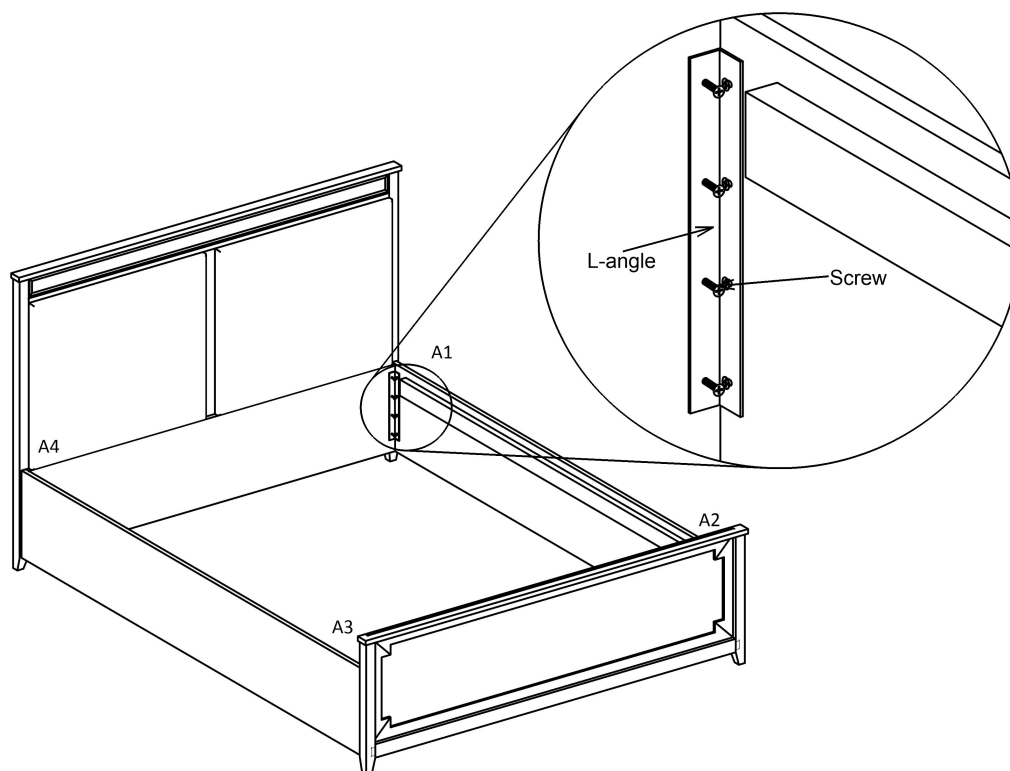


Metal L-angle 110 mm

2 nos

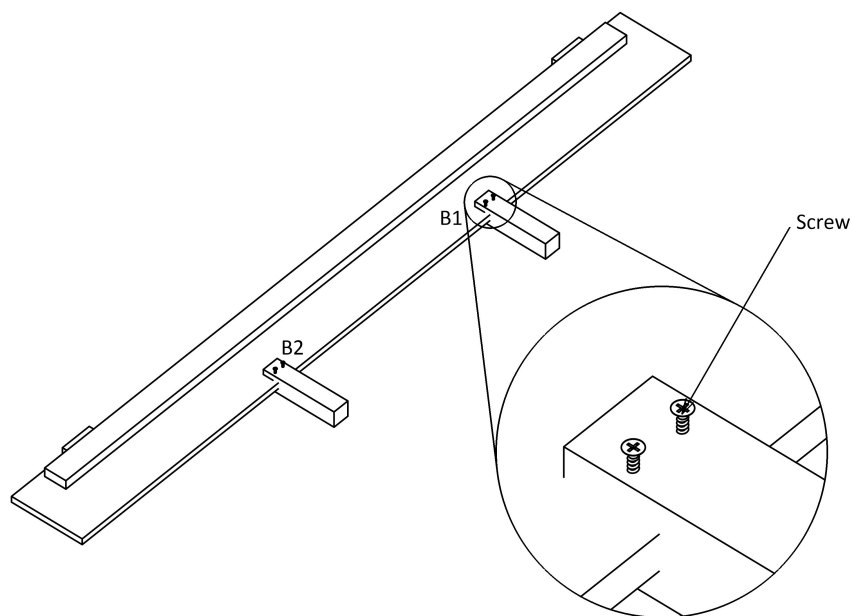


## STEP01



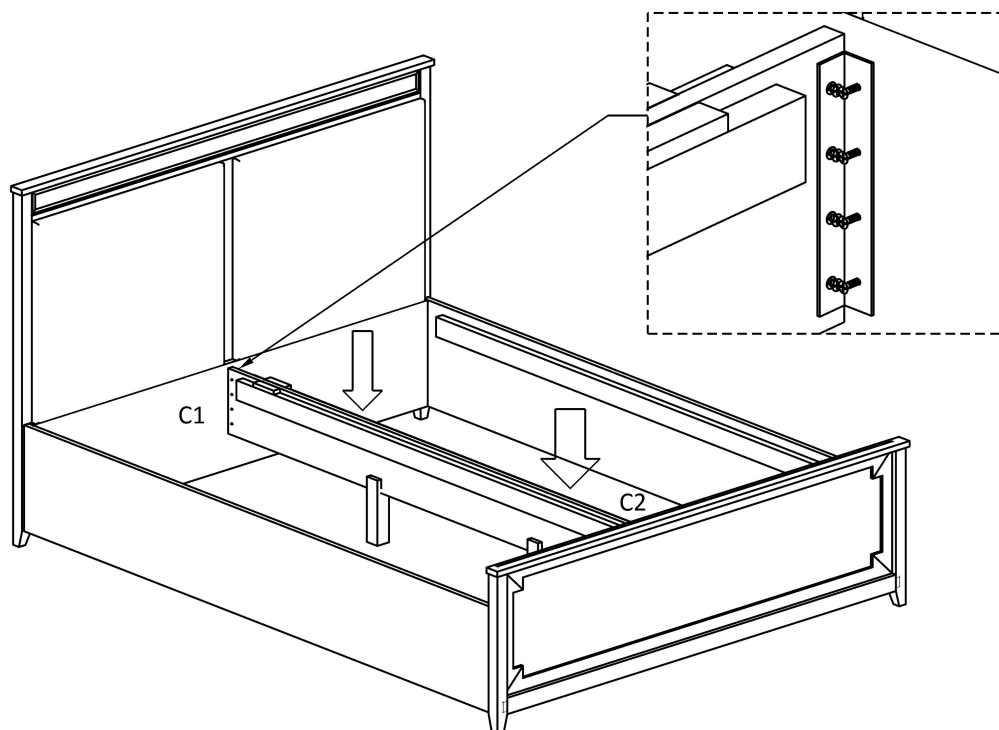
Fix the Part -A(Headboard),Part-B(Sideboard),Part-E(Footboard) using L-angle with the help of Screw 16mm at position A1,A2,A3 and A4 as shown in fig.

## STEP02



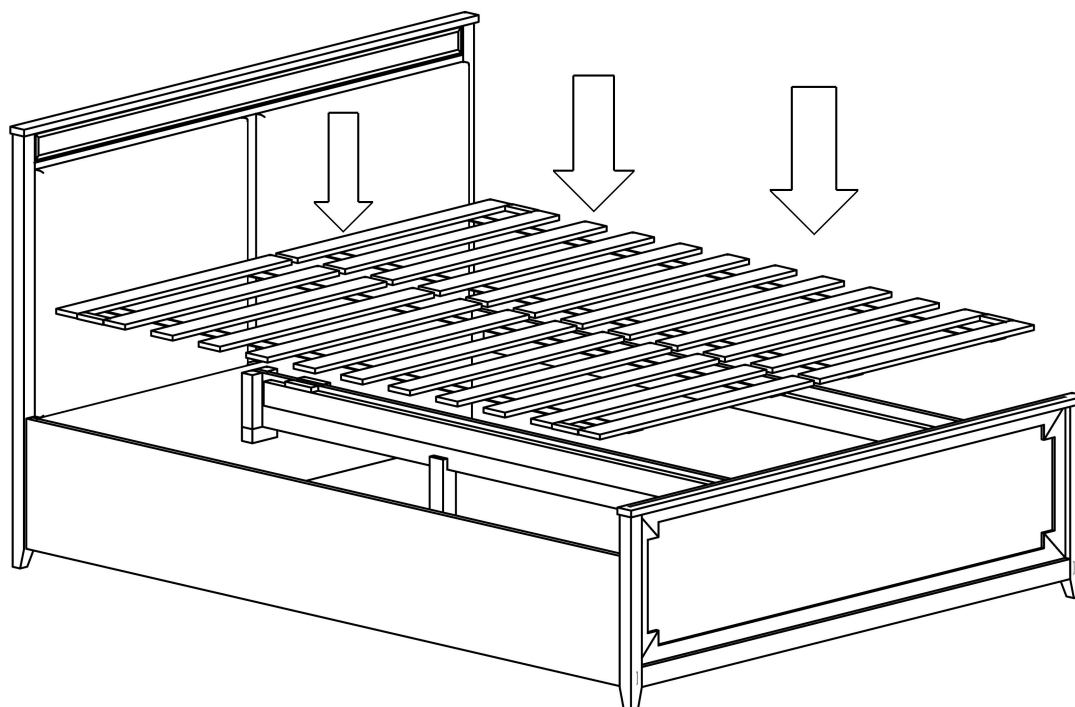
Now fix Part-C(Middle panel) and Part-D(Leg) with screw of 25 mm at position B1 and B2 as shown in fig.

### STEP03



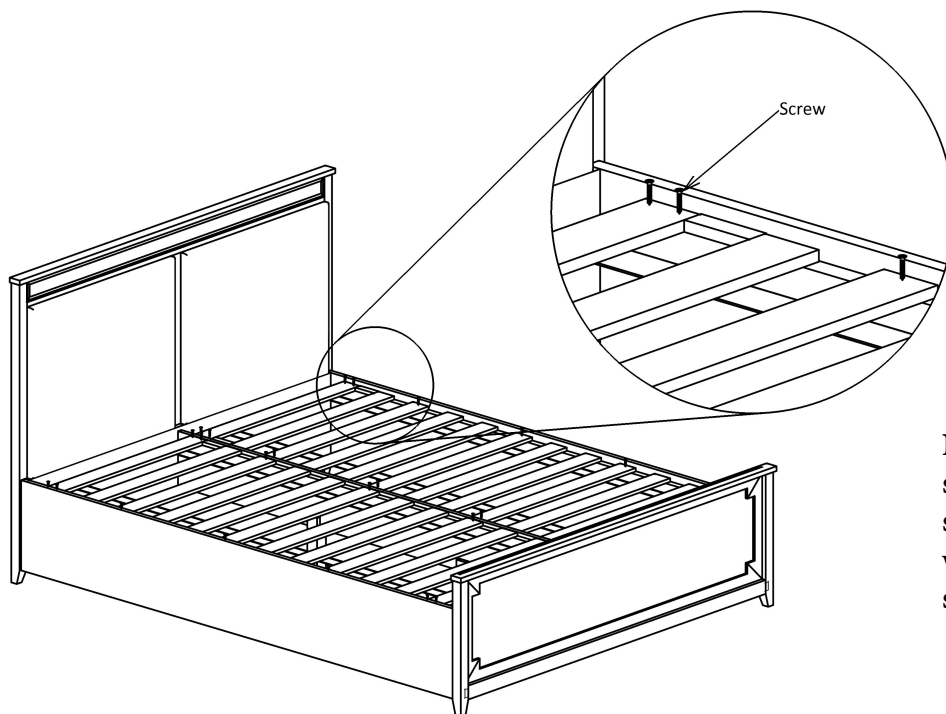
Now fix Part-C(Middle panel) with Part-A(Headboard) and Part-E(Footboard) using metal L-angle with screws 16 mm at position C1 and C2 respectively as shown in fig.

### STEP04



Now place Part-F(LVL Slates) into last assembled part as shown in fig.

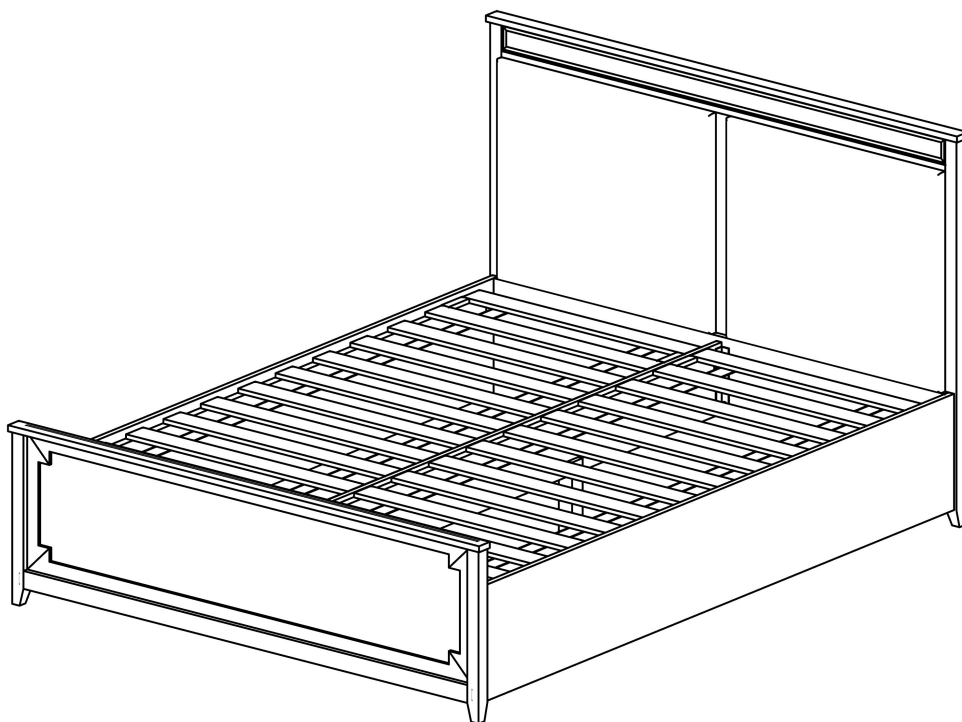
## STEP05



**NOTE:-**First and last strip will fixed by two screws and remaining will fixed by single screws each at centre.

Now fix Lvl slates with last assemble part using screws of 25 mm at 1st ,3rd,6th,9th and 12th strip as shown in fig.

## STEP06



Your bed is ready to use.

Thank you for your purchase!

We hope you will enjoy your new product for many years to come. Our commitment to providing quality products does not simply end when a purchase is made. We stand behind our products and will provide any support needed in order for you to fully enjoy your purchase. Your satisfaction is the greatest recognition we could have.

Because we value your trust in our company, we will do our best to meet your service expectations. Should you have any assembly related questions, parts replacement requests, comments or suggestions, please feel free to contact us any time. To help expedite the service, please have the assembly instructions available, along with your order receipt.

Note :

Do not dispose of any packaging or contents of the shipping carton until assembly is completed to avoid accidentally discarding small parts or hardware.

## **CARE INSTRUCTIONS**

### **Clean**

Dust off with a soft, dry cloth and vacuum your upholstery regularly

For wiping, use a mild cleansing agent. On surfaces, do not use harsh agents which contain ammonia or bleach.

Don't forget to give your cushions a good shake every week or so to help them keep their shape.

For a full cleanse of upholstered furniture, we recommend professional cleaning by a certified company that can come to your home.

If your design has removable covers you can take it along to your local dry cleaner.

### **Stains**

Take care of spills immediately. Absorb the spill with a clean white cloth or paper towel. Gently dab the surface and lift the stains.

For linen and cotton-blend fabrics that are more heavily dyed, bear in mind that spot cleaning may lift the dye leaving a lighter patch.

In the case of fabrics such as Velvet, be sure to never scrub the fabric harshly. Velvet, is very sensitive to liquids and should be kept dry at all times. It should be professionally dry-cleaned only.

If you spill on a Leatherette surface, the best thing to do is wipe up the spill immediately using a damp cotton or wool cloth and then dry using a clean soft cloth.

In some cases you may not be able to remove a stain by simply wiping the leatherette with warm water. In these cases you will need to use a soap and water mixture. In a small bowl, combine warm water with a tablespoon of mild dish soap or hand soap and wipe the stained area with a soft cotton cloth using the soap mixture.

After you have wiped the entire surface with soapy water, take a new cloth and dip it in a bowl of plain water. This will help to rinse away any soap that remains on the leatherette. Once the leatherette has been rinsed, use a clean dry cloth to dry the surface. Dab the cloth over the entire surface until it is completely dry.

Note : You can use a cotton-swab to clean hard-to-reach areas instead of a dry cloth.

### **Avoid**

Keep the furniture away from direct sunlight and away from heat sources; excessive exposure to sunlight may fade the colour of the upholstery.

Avoid placing heavy or sharp objects on the furniture surface for long periods of time; this can cause permanent indentations on the fabric.

To protect furniture from moisture, avoid placing the furniture in direct contact with damp walls. In case of contact, wipe the furniture promptly with a dry, soft and lint-free cloth.