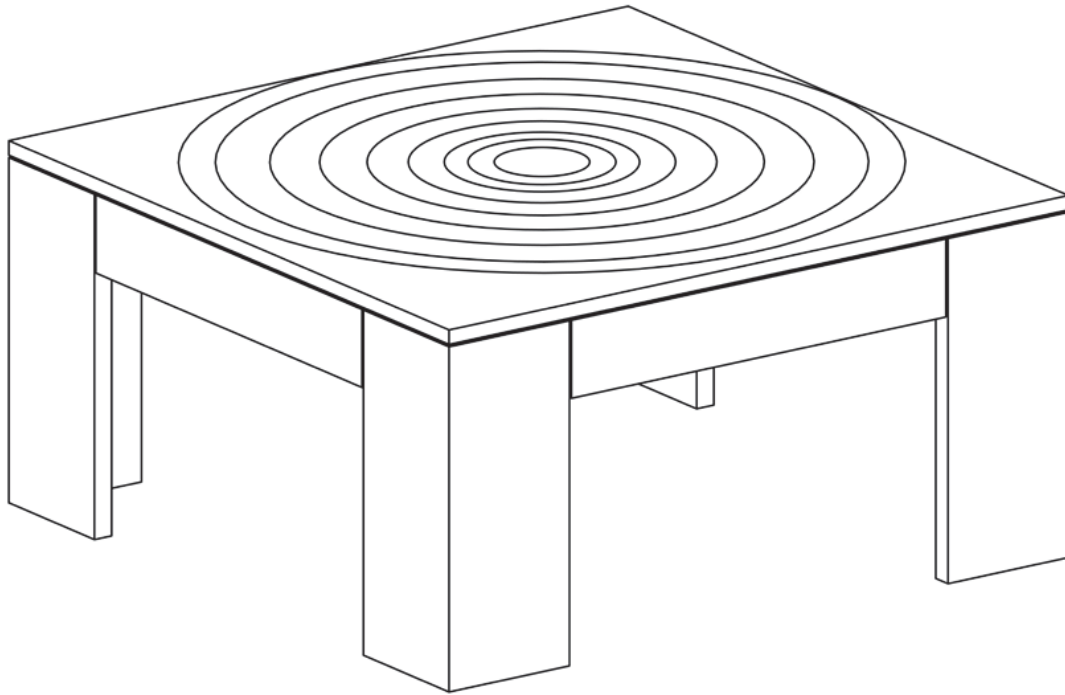


ASSEMBLY INSTRUCTIONS



MELLOW COFFEE TABLE

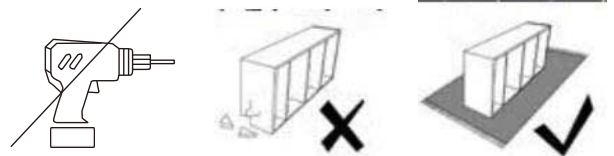
Product Code : HOTAB00053

ASSEMBLY RATING

The Assembly Rating is a 5-point system that shows the degree of effort needed in assembling a specific product (with 1 being easy and 5 being difficult). For most products, two persons are recommended.

EASY ●●○○○ DIFFICULT

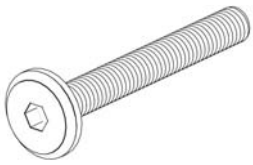
Requirement for Assembly



2 PERSON RECOMMENDED

HARDWARES

ASSEMBLED PRODUCT



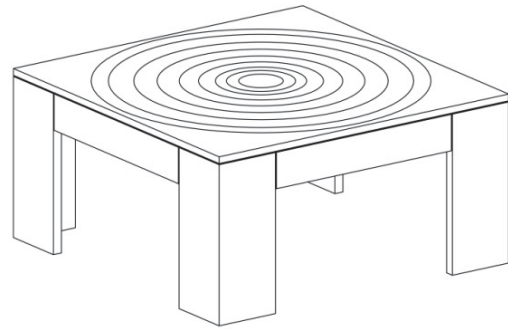
ALLEN BOLT(8x35mm)

8 nos



ALLEN KEY (NO.5)

1 nos



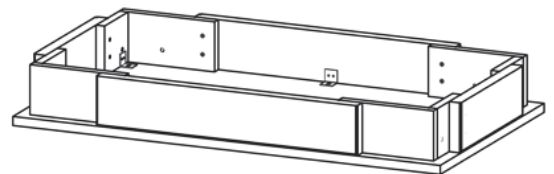
STEP 01



Part A(1nos)

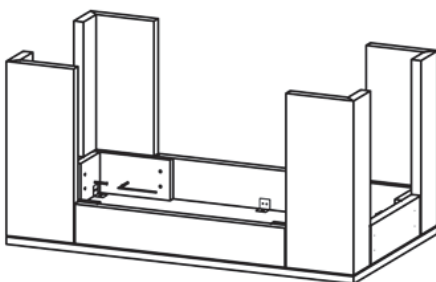


Part B (4 nos)



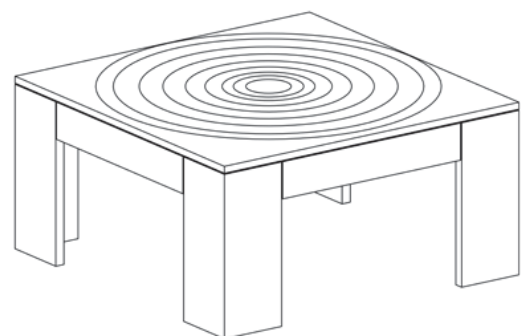
Flip the part A as shown in Fig.

ASSEMBLED PRODUCT



Fix the part B(leg) with Allen Bolt with the help of Allen Key as shown in Fig.
(Note: Don't tighten the bolt at once. Firstly, fix all bolt firmly & than tight them all Diagonaly.)

STEP 02



Turn the Table.
Your table is ready.

STEP 03

Thank you for your purchase!

We hope you will enjoy your new product for many years to come. Our commitment to providing quality products does not simply end when a purchase is made. We stand behind our products and will provide any support needed in order for you to fully enjoy your purchase. Your satisfaction is the greatest recognition we could have.

Because we value your trust in our company, we will do our best to meet your service expectations. Should you have any assembly related questions, parts replacement requests, comments or suggestions, please feel free to contact us any time. To help expedite the service, please have the assembly instructions available, along with your order receipt.

Note :

Do not dispose of any packaging or contents of the shipping carton until assembly is completed to avoid accidentally discarding small parts or hardware.

CARE INSTRUCTIONS

Clean

- Dust off with a soft dry cloth only.
- For cleaning, use a mild cleansing agent. Do not use agents with sanding properties or which contain ammonia or bleach.

Stains

- Take care of spills immediately. Absorb the spill with a clean white cloth or paper towel. Gently dab the surface and lift the stains.

Avoid

- Keep the furniture away from direct sunlight and away from heat sources; excessive exposure to sunlight may fade the colour of the upholstery.
- To protect furniture from moisture, avoid placing the furniture in direct contact with damp walls. In case of contact, wipe the furniture promptly with a dry, soft and lint-free cloth.
- Always use a coaster and mats while placing hot, cold or wet materials on the furniture to avoid surface damage.
- Always lift and place furniture pieces while repositioning. Dragging the furniture over a prolonged period of time can weaken the joints.
- Avoid using furniture polish, chemical solvents and cleaners for our range of children's furniture.

