

It's important to make sure that the furniture you are ordering will fit in your home. Here are the steps to ensure a successful delivery

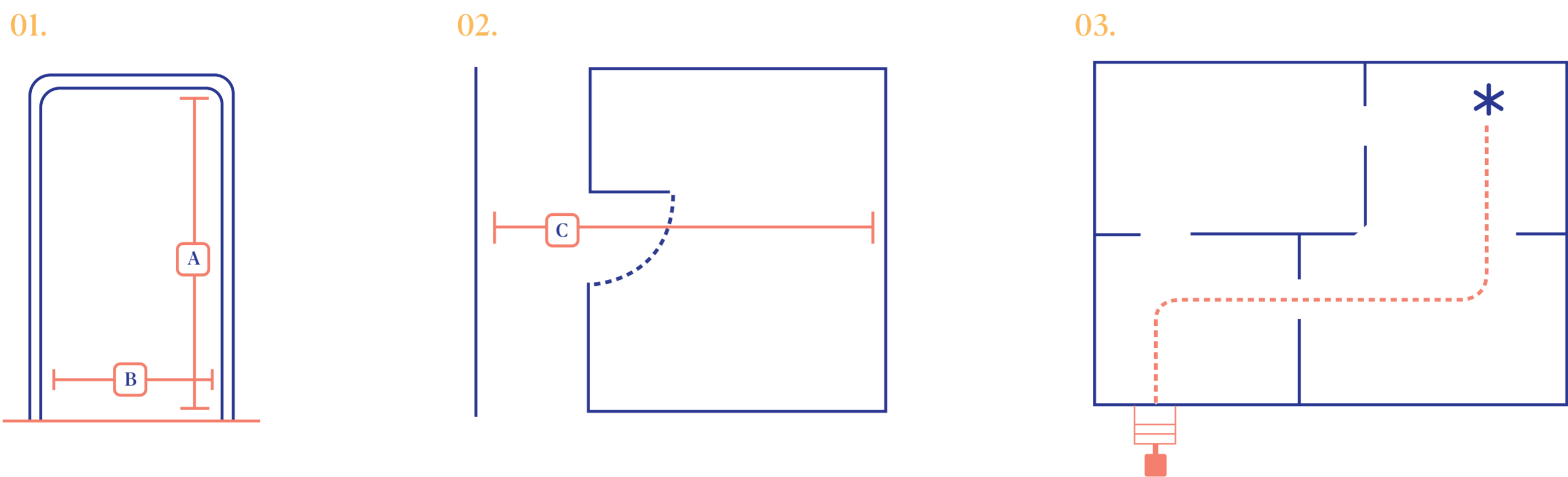
1. Pick The Right Piece

Our website provides width, length and height for every piece of furniture. In addition, we provide the diagonal measurement for sofas, chairs and sectional pieces; the diagonal measurement is important if furniture will need to be brought in at an angle.

2. MEASURE YOUR DOORWAYS, STAIRWAYS AND PASSAGES

It's important to make sure that the piece will fit in all entryways before placing your order.

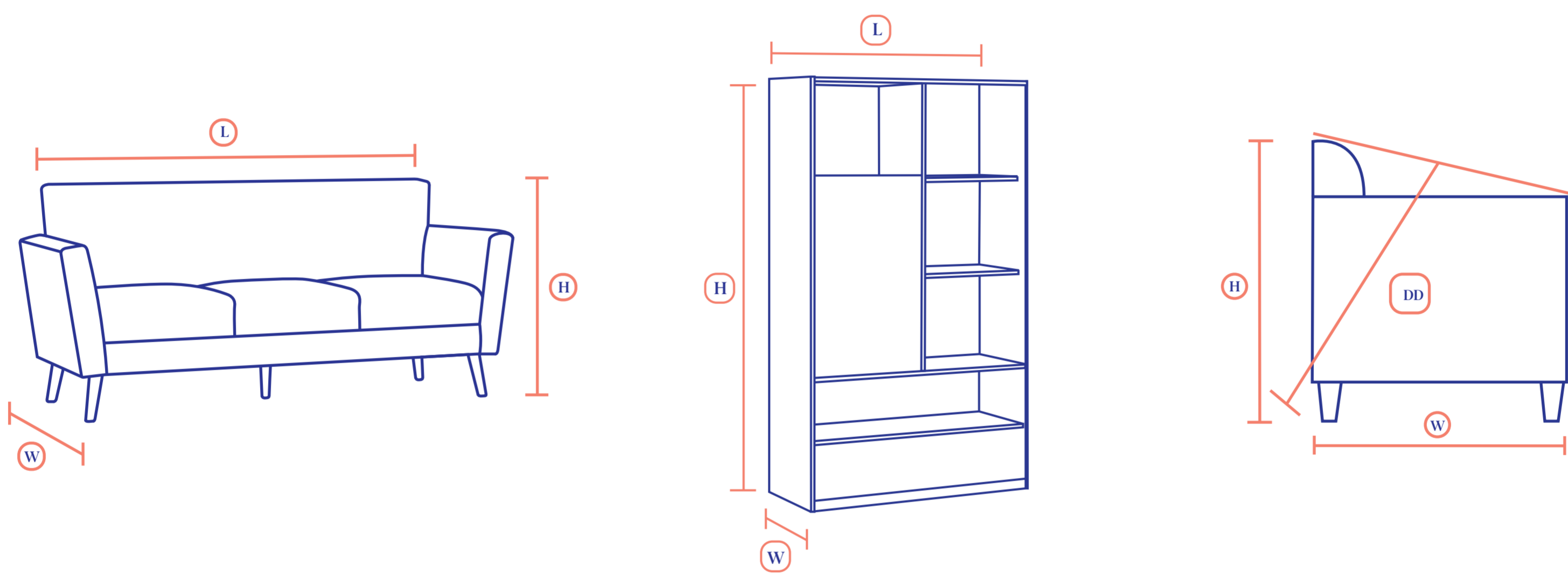
1. Measure the height (A) and width (B) of all doors and hallways.
2. For narrow entryways and corners, also measure the total clearance length (C) between the outside and interior walls.
3. Determine the best pathway from outside your home to where the piece will live.



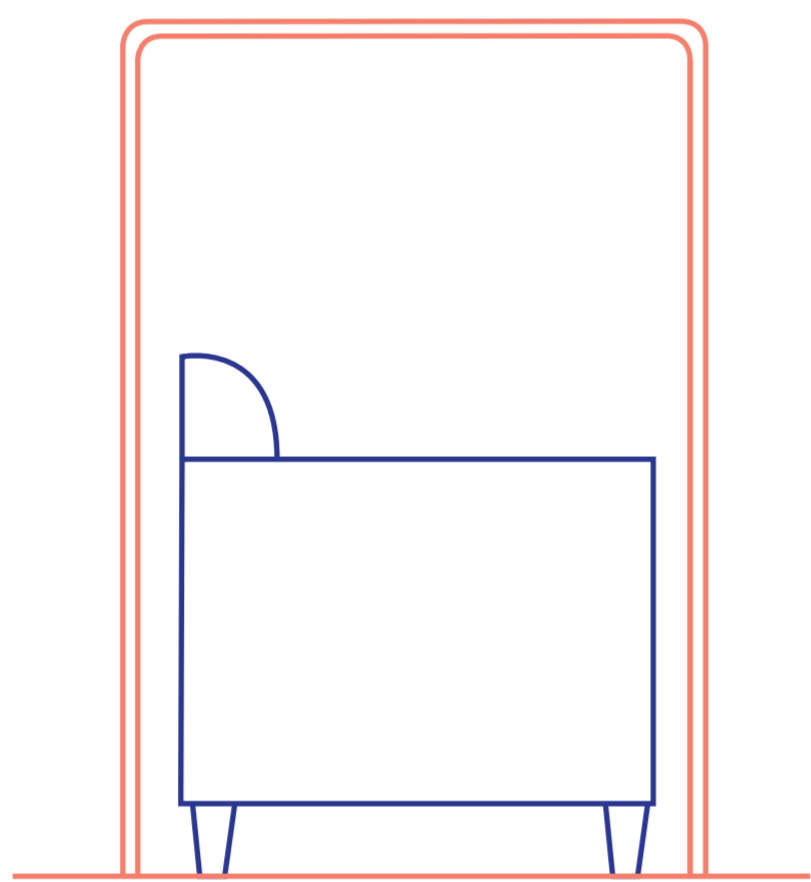
2. Note Furniture Measurements

Referencing the Details + Dimensions tab on each product page, locate the width (W), depth (D), and height (H) of the piece. If a sofa or chair, also note the diagonal depth (DD), which will determine if the piece can be brought through tighter entryways at an angle.

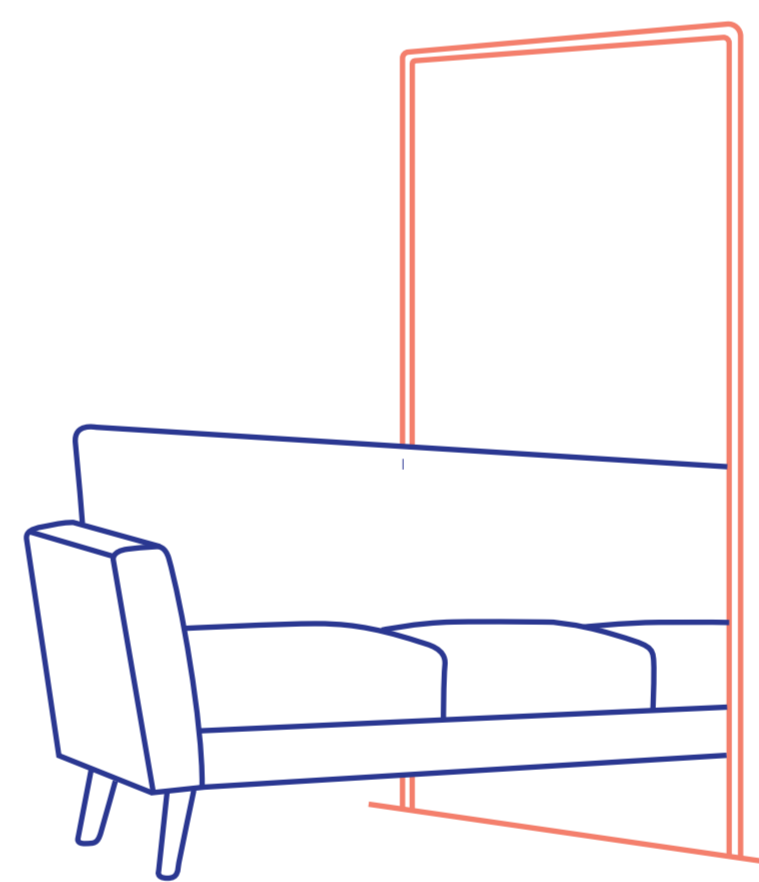
1. Sectionals are delivered in individual pieces. Use individual component measurements for comparison as opposed to the sectional's overall measurements.
2. Use Package dimension and not the product dimension.
3. Most dining tables have removable legs, minimizing overall product height during delivery.



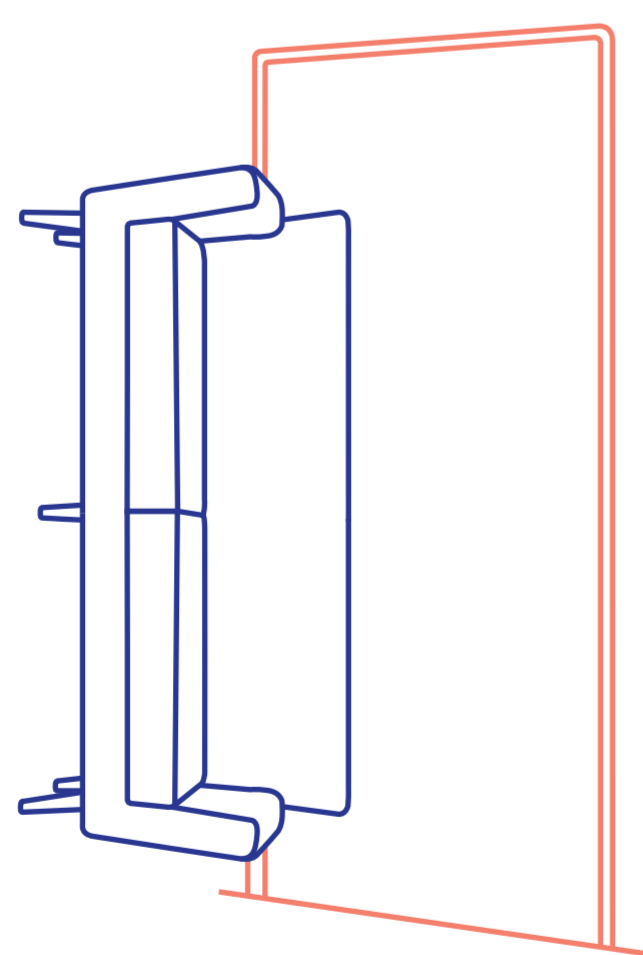
2. Make Sure It Fits Into Your Home



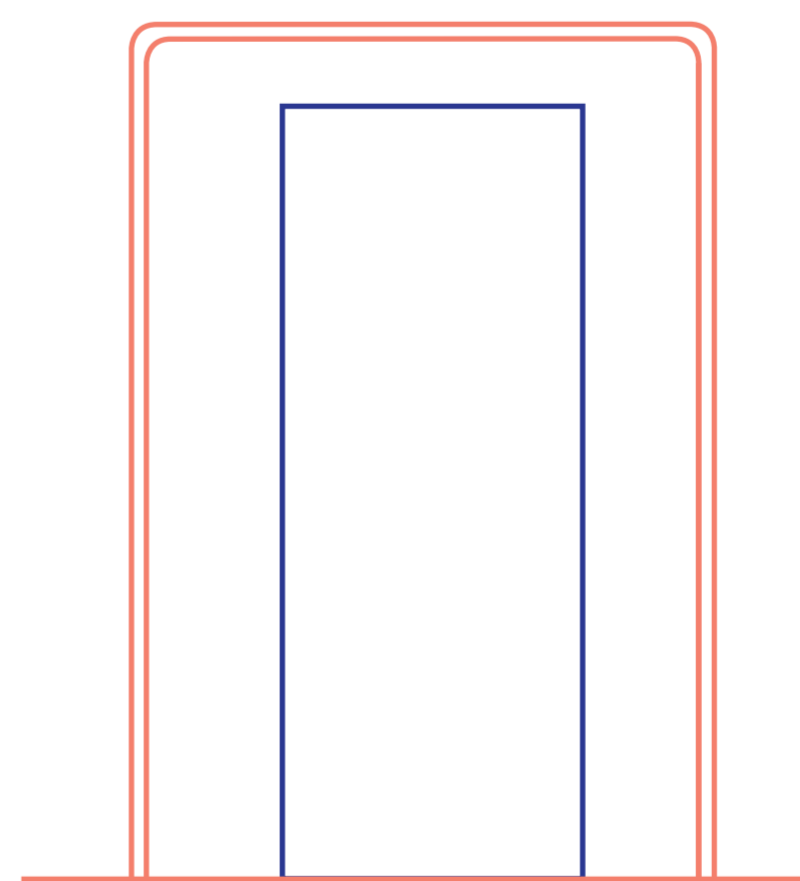
The width of the entryway (B) must exceed at least one of the following: the piece's depth (D), diagonal depth (DD) or height (H).



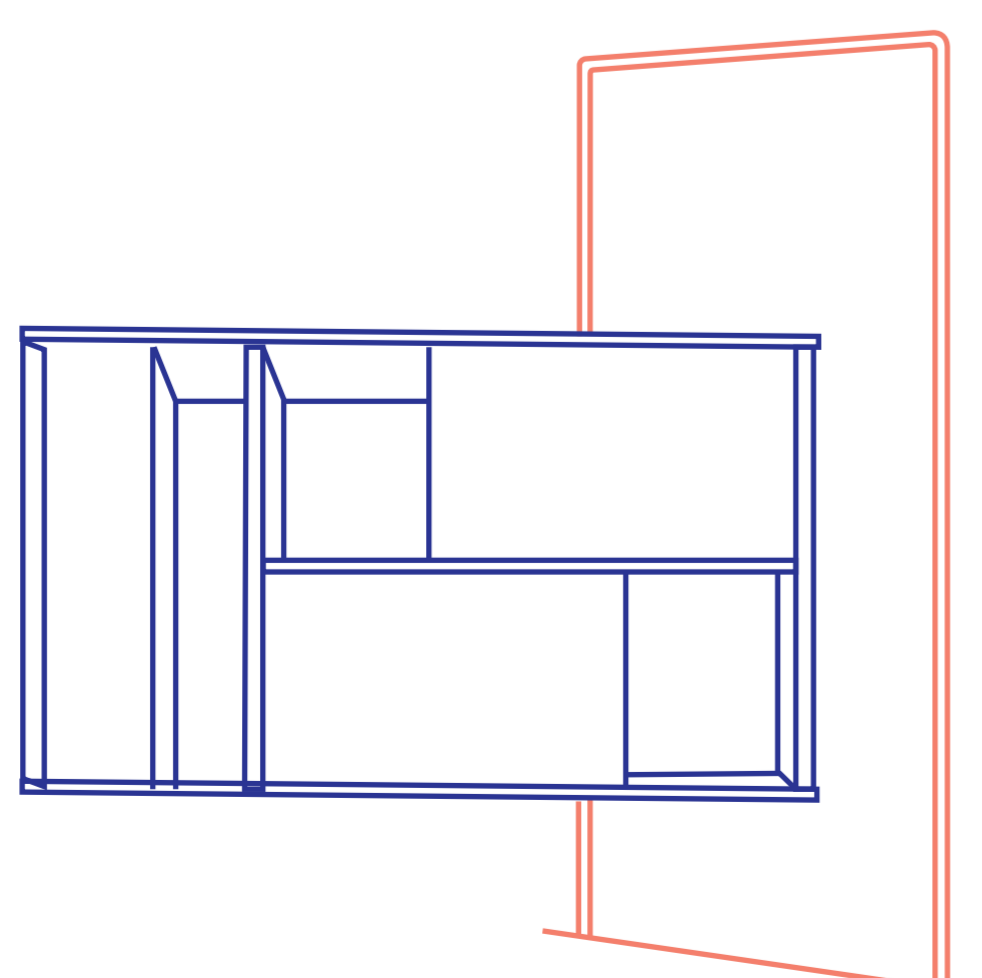
If the entryway clearance (C) exceeds the piece's width (W), then you can move it in horizontally.



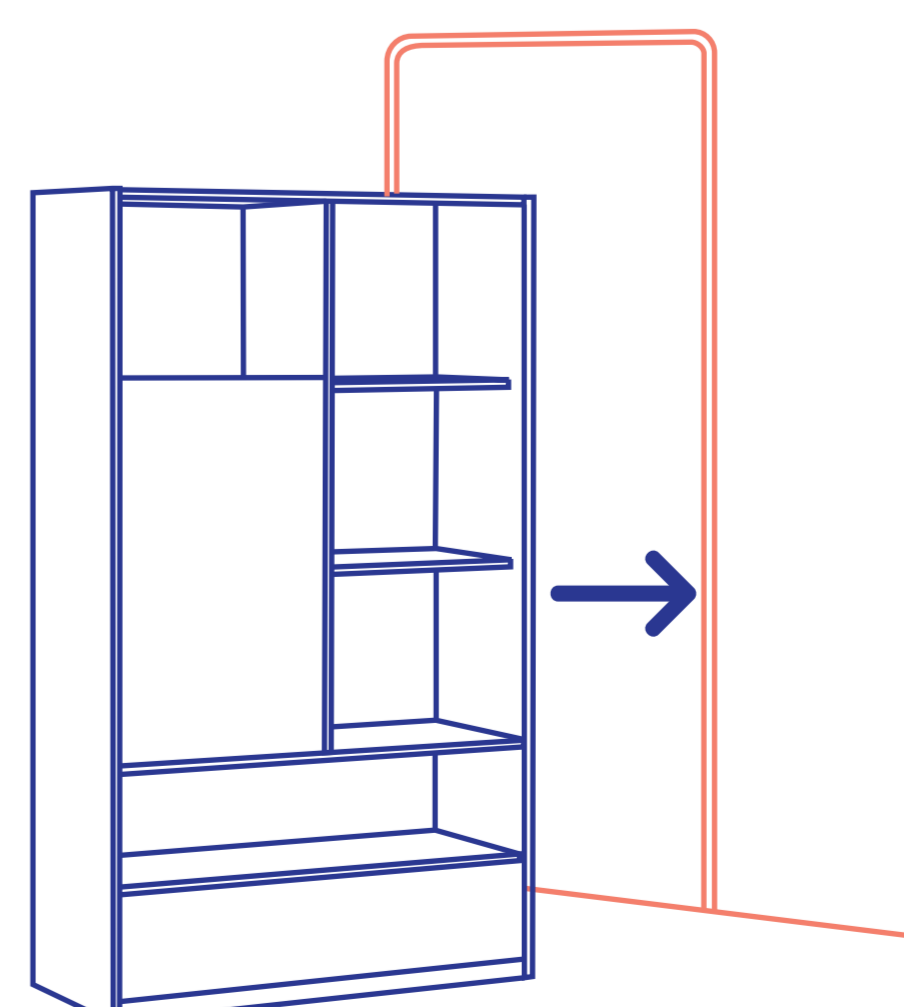
If the entryway clearance (C) is less than the piece's width (W), then you will need to attempt to move it in vertically, meaning that the entryway height (A) must exceed the piece's width (W).



The width of the entryway (B) must exceed the piece's depth (D).



If the entryway clearance (C) exceeds the piece's height (H), then you can move it in horizontally.



If the entryway clearance (C) is less than the piece's height (H), then you will need to attempt to move it in vertically, meaning that the entryway height (A) must exceed the piece's height (H).