

Preethi[®] essence

Fruit and Vegetable Juicer

600Watt
powerful motor



Long lasting metal sieve



Removable pulp chamber



Give your family the gift of health
Powerful motor for tough fruits and vegetables!

INSTRUCTION MANUAL & WARRANTY CARD

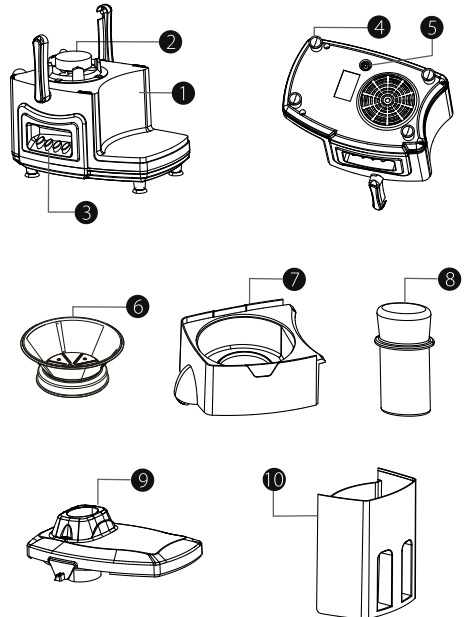
Technical Specifications

Model No.	CJ 101
Voltage	230V~50Hz
Wattage	600W max.
Motor	Universal motor
No load at max. speed 3	18000 rpm (approx.)
Speed Control	Piano with 3 speed and incher
Insulation	Class F
Protection	Class II
Rating	Ordinary Total rated ON time 30 minutes (max.) Continuous ON for 3 minutes (max.) and OFF for 2 minutes (min.) Rest time 45 minutes

Gross Weight	3.8 Kgs. (approx.)
Size of Carton	325mm (L) x 235mm (W) x 340mm (H)
Warranty	1 Year

General description

- 1. Base unit:** The motor, speed switch, mains cord and overload protector switch
- 2. Lock mechanism:** To aid in locking of juicer housing on base unit.
- 3. Speed selector button:** For different speed adjustment.
- 4. Anti Slip rubber feet:** attached.
- 5. Overload protection switch*:** red colored switch located at the base of the unit.
- 6. Sieve :** detachable.
- 7. Juicer housing :** detachable
- 8. Fruit pusher:** aids in pushing the fruits through the chute in the juicer.
- 9. Juicer cover**
- 10. Online pulp chamber:** to collect the pulp left from the fruits.



Operation

Before the first use Thoroughly clean parts that come in contact with food.

Juicer

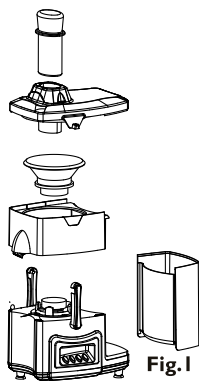
Always use juicer at speed low for juicing. Cut fruits into smaller pieces to help pass through chute. Use pusher for pushing the fruits through the chute for juicing. For continued juicing, repeat the above mentioned procedure.

Overload Protection

The juicer is fitted with an automatic power shut off mechanism to avoid motor burning due to overloading, the red knob at the bottom will come out. Switch off the juicer. Wait for 2-3 minutes. Press the red knob and start juicer again.

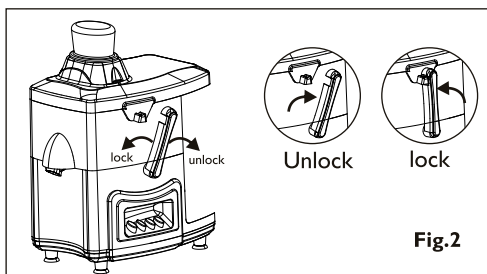
How to assemble juicer

1. Set the base unit on a dry surface. Place the base unit with the control switch facing you.
2. Place the juicer housing on the base unit as shown in the figure.
3. Press the cutter sieve on the motor coupler and push down until firmly in place.
4. Place the juicer cover onto the juicer housing with feeding chute positioned over the stainless steel cutter sieve and fit into position.
5. Secure the juicer cover by rotating the twin locking handles attached with body and clip the tops of the juicer cover. Press firmly on the sides till 'click' sound is heard to lock into place. (fig.2)
6. Slightly tilt the pulp chamber and slide into place under the juicer cover.
7. Place a container under the spout for collecting the juice.



Tips for good juicing

- Maximum extraction of juice can be done with fresh fruits & vegetables & also using speed low for juicing.
- For maximum juice extraction, clean the sieve and remove the pulp after 3 to 4 glasses of juice especially in case of hard fruits and vegetables like beetroot, apple and leafy vegetables like spinach.
- The thickness and amount of juice extracted also depends on the variety of fruits and vegetables.
Example: The juicier the apple, the thinner the juice.
- You may remove the seeds from citrus fruits as they may give bitter taste to the juice when crushed in the juicer.
- When making mixed fruits or vegetable juice, juice the softer fruit/vegetables first followed by the harder fruit/vegetable.
Example while making mix fruit juice, juice orange first followed by apple. Similarly while making mix vegetables juice, put tomato first, followed by carrots.
- If you want to add mint leaves or ginger to the juice, add it along with another fruit or vegetables for maximum output. For instance if you want to add mint, add it along with carrots or tomato.
- To get the maximum amount of juice, always press the pusher down firmly but slowly.
- Drink the juice immediately after extracting. Avoid keeping it for a long time.
- Your juicer is not suitable for processing very hard, fibrous or starchy fruits and vegetables.



Important instructions

We recommend that you read the following instructions carefully, before using the appliance.

1. Check if the voltage indicated on the base of the appliance, corresponds to the local electrical mains voltage before connecting the appliances.
2. Do not use the appliance when the mains cord, the plug or other components are damaged. Only the company or a service centre authorized by Preethi must replace it.
3. Always unplug the appliances after use.
4. Never immerse the motor unit in water.
5. Always unplug the appliance before reaching into the sieve with your fingers or an object e.g. spatula.
6. The appliance is not intended for use by children & persons with reduced physical, sensory or mental capabilities or lack of experience and knowledge, unless they have been given instruction concerning use of the appliance or supervised by a person responsible for their safety. Children should be supervised to ensure that they do not play with the appliance.
7. Always ensure that the unit is switched off / main unplugged before removing accessories.
8. Handle the sieve carefully. Wash them under running water and do not rub with your hand.
9. Do not use appliances on wet surface
10. Do not run appliances for more than 30 minutes continuously.
11. Keep appliances away from hot gas burner, electric hot plate or similar appliances.
12. This appliance is strictly for household use.
13. Do not drop the main unit or accessories.
14. Warranty will become invalid in case accessories or parts not recommended by preethi or those made by other manufacturers are used.
15. After the application & power supply off the Sieve assembly will run for 10 to 30 sec (approx.) Do not touch or disassemble till the sieve assembly stops fully to rest.

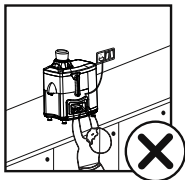


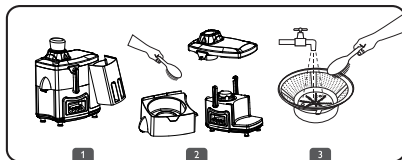
fig. 1

16. Ensure that the sieve has come to a rest, switch off the mains & then release the locks to disassemble
17. Do not leave unit unattended while in operation.

Quick clean guide for juice

Unplug the unit before disassembling & cleaning

1. Ensure all parts are cleaned immediately after use. Take out pulp chamber and empty it.
2. Disassemble the juicer, clean juicer cover, juicer housing individually by using a soft brush or sponge under running water. Wipe the motor unit with a wet cloth.
3. Place cutter sieve under running water and clean using a soft brush



Important instructions for juicer

(Always use speed low for juicing)

1. Do not push fruit or vegetables into the feed chute with your fingers or spatula. Always use the pusher provided.
2. If any fruit or vegetable lodges in the feed chute, use the food pusher or turn off the juicer, remove the plug from the power outlet and disassemble to remove the lodged fruit or vegetables.
3. Never operate without assembling the entire unit.
4. Ensure the juicer is correctly and completely assembled before turning the appliance "On". Do not unlock the twin locking handles while the juicer is in operation.
5. Cutter sieve blades are very sharp. Never run your fingers on the cutting edges of the cutter sieve, even while cleaning.
6. Do not use the appliances if the rotating sieve is damaged for centrifugal juices.

Trouble shooting

Sl.No.	Problem	Cause	Solution
1.	Appliance does not work.	No electricity supply.	Ensure that the plug is plugged in well
2.	Appliance suddenly stops working while in use.	The appliance is equipped with an 'Over Load Protector' (OLP) switch. If appliance overheats, it automatically cuts off power supply.	Unplug the appliance and let it cool for 2-3 minutes. Remove jar from base unit there is a red coloured switch (OLP). Reset OLP by pressing it. Put plug back into wall socket and switch on appliance again (see heading 'Overload Protection')
		There may be fruit pieces stuck in the juicing unit or the sieve	Unplug the appliance, remove the juicer lid and remove any pieces of fruit that may have been lodged in the juicing unit or the sieve.
3.	Base unit gives an unpleasant smell during first few times of use.	This is normal for the first few times.	If appliance continues to smell after using a few times: Ensure that appliance has been mbled correctly.
4.	Appliance makes a lot of noise.	The sieve may not be properly fixed on the unit.	Unplug the appliance, remove the juicer cover and fix the sieve properly on the base unit.
		Clogging of sieve with pulp or fiber.	Unplug the appliance, remove the sieve, clean and reuse.
5.	There are fumes from the appliance.	Appliance may have been used for too long.	Switch off appliance and let it cool for 60 minutes.

Standard recipes

No.	Recipe	Quantity	Procedure	Time
1	Sweetlime (2glasses)	7 no. (medium size)**	Cut into smaller pieces to pass through chute	2.5 - 3 mins on juicing speed
2	Mix fruit juice (2 glasses) - Sweetlime - Pomegranate - Apple	1 no. (medium size)** 1 no. (medium size)** 2 no. (medium size)**	Cut into smaller pieces to pass through chute	2 - 3 mins on juicing speed
3	Mix vegetable juice (2 glasses) - Tomato - Carrot	4 no. (medium size)** 3 no. (medium size)**	Cut into smaller pieces to pass through chute	2.5 - 3 mins on juicing speed
4	Carrot juice (2 glasses)	2 no. (medium size)**	Cut into smaller pieces to pass through chute	2.5 - 3 mins on juicing speed

Notes:

You can juice a wide range of fruits and vegetables in this juicer. However, it is not possible to juice fibrous, starchy or very hard fruits and vegetables like mango, cheeku, banana, amla, aloe vera, sugarcane and wheatgrass

Please remove seeds from citrus fruits to ensure that they do not get crushed & burn the juicer filter.

After using once, let the appliance cool down before you use it again.

*Pause for 5 seconds

**Quantity of juice and time of juicing may vary with the season.

CUSTOMER CARE CENTRES

TAMIL NADU

1. Avadi, Ph:26555387. ocoavadi@preethi.in
2. Kellys, Ph:25321338 cockeiklys@preethi.in
3. Porur, Ph:24761797. cccpadi@preethi.in
4. T.Nagar, Ph:24347418. cccnagar@preethi.in
5. West Tambaram, Ph:22261510. cccatambaram@preethi.in
6. Goyichettyalakkam, Ph:24961111. cccthoraipakkam@preethi.in
7. Chidambaram, Ph:04144-223256. cccchidambaram@preethi.in
8. Coimbatore, Ph:0422-2232687. ccccoimbatore@preethi.in
9. Coimbatore, Ph:0422-2540687. ccccoimbatore2@preethi.in
10. Coonoor, Ph:0423-2236878. ccccoonoor@preethi.in
11. Dharmapuri, Ph: 04342-263233. cccodharmapuri@preethi.in
12. Dindugul, Ph:0451-2423060. cccdindigul@preethi.in
13. Erode, Ph:0424-2221200. cccerode@preethi.in
14. Gobichettypalayam, Ph:04285-228889. cccogopi@preethi.in
15. Hosur, Ph:04344-649857. ccchosur@preethi.in
16. Kancheepuram, Ph:044-2730492 ccckancheepuram@preethi.in
17. Karaikal, Ph:9791032813. ccckaraikai@preethi.in
18. Karaikudi, Ph:04565-236376. ccckaraikudi@preethi.in
19. Karur, Ph:04324-241989. ccckarur@preethi.in
20. Kumbakonam, Ph:0435-2425142.ccckumabakonam@preethi.in
21. Madurai, Ph:0452-2347386. cccmadurai@preethi.in
22. Mayiladuthurai, Ph:04364-241202. cccmayavaram@preethi.in
23. Nagercoil, Ph:04652-244505. cccnagercoil@preethi.in
24. Namakkal, Ph:04286-222592. cccnamakkal@preethi.in
25. Pudukcherry, Ph:0413-2346383. cccpudukcherry@preethi.in
26. Pudukkottai, Ph:04322-224195. cccpudukkottai@preethi.in
27. Ramanathapuram, Ph:04567-222344. cccramanad@preethi.in
28. Salem, Ph: 0427-2250578. cccsalem@preethi.in
29. Thanjavur, Ph:04362-273565. cccthanjore@preethi.in
30. Theni, Ph: 04546-253603. ccctheni@preethi.in
31. Tirunelveli, Ph:0462-2321824. ccctirunelvei@preethi.in
32. Tiruppur, Ph:0421-4242341. ccctirupur@preethi.in
33. Tiruvannamalai, Ph:04175-254900. cccvannamalai@preethi.in
34. Tiruvarur, Ph:04366-222566. ccctiruvarur@preethi.in
35. Trichy, Ph:0431-2751288. ccctrichy@preethi.in
36. Trichy, Ph:0431-2415181. ccctrichycent@preethi.in
37. Tuticorin, Ph:0461-2331668. cccuticorin@preethi.in
38. Udumalpet, Ph:04252-221477. cccudumalpet@preethi.in
39. Vellore, Ph:0416-2215916. cccveiore@preethi.in
40. Villupuram, Ph:04146-252233. cccvillupuram@preethi.in
41. Virudhunagar, Ph:04562-420624. cccvirudhunagar@preethi.in

KARNATAKA

42. Bengaluru, Ph:080-25440335. cccbenguru@preethi.in
43. Bangalore, Ph:060-22222583. cccbnir@preethi.in
44. Bangalore, Ph:080-23324161. cccbnir@preethi.in
45. Belgaum, Ph: 08132-2464093. cccbelgaum@preethi.in
46. Bellary, Ph:08392-2277139. cccbebiary@preethi.in
47. Goa, Ph:0832-2445085. cccgoa@preethi.in
48. Hubli, Ph:0836-2352077. ccchubli@preethi.in
49. Mangalore, Ph: 0824-2410434. cccma
50. Mysore, Ph:0821-2443966. cccmysore@preethi.in
51. Shimoga, Ph: 08182-229759. cccshimuga@preethi.in

ANDHRA PRADESH

52. Eluru, Ph:08812-221841. ccceluru@preethi.in
53. Guntur, Ph:0863-2214551. cccguntur@preethi.in
54. Hyderabad, Ph:040-23063848. cccukatpalli@preethi.in
55. Hyderabad, Ph:040-27661588. ccchyderabad@preethi.in
56. Hyderabad, Ph:040-24044858. cccydsr@preethi.in
57. Kadappa, Ph:08562-246552. ccckadappa@preethi.in
58. Karim Nagar, Ph:0878-2245211. ccckarimnagar@preethi.in
59. Khammam, Ph:08742-228970. ccckhammam@preethi.in
60. Kurunool, Ph:08518-222358. ccckurunool@preethi.in
61. Mancherial, Ph:08736-254222. cccmancherial@preethi.in
62. Nellore, Ph:0861-2316141. cccnellore@preethi.in
63. Nizamabad, Ph:08462-229526. cccnizamabad@preethi.in
64. Ongole, Ph:08592-284914. cccongole@preethi.in
65. Rajahmundry, Ph:0883-2441321. cccrajahmundry@preethi.in
66. Secunderabad, Ph:040-27819516.cccsecunderabad@preethi.in
67. Srikakulam, Ph:08942-222448. cccsrikakulam@preethi.in
68. Tirupathi, Ph:0877-2228966. cccthirupathi@preethi.in
69. Vijayawada, Ph:0866-2431158. cccvijayawada@preethi.in
70. Vizag, Ph:0891-2541915. cccvizag@preethi.in
71. Vizianagaram, Ph:08922-226629. cccvizianagaram@preethi.in
72. Warangal, Ph:0870-2447006. cccwarangal@preethi.in

KERALA

73. Alapuzha, Ph:0477-2230896. cccalapuzha@preethi.in
74. Attungal, Ph: 0470-2624165. cccattungal@preethi.in
75. Trivandrum, Ph: 0471-2408461. cccbalaramapuram@preethi.in
76. Calicut, Ph:0495-2724080. ccccalicut@preethi.in
77. Chengannachery, Ph:0481-2424383. cccchangan@preethi.in
78. Cochin, Ph:0484-2370781. ccccochin@preethi.in
79. Kanhangad, Ph:0467-2200799. ccckanhangad@preethi.in
80. Kannur, Ph:0497-2765948. ccckannur@preethi.in
81. Kollam, Ph:0474-2708800. ccckollam@preethi.in
82. Kottayam, Ph:0481-2584793. ccckottayam@preethi.in
83. Malappuram, Ph:0483-2735948. cccmalappuram@preethi.in
84. Palakkad, Ph:0491-2536016. cccpalakkad@preethi.in
85. Pathanamthitta, Ph:0468-2325605 cccpathanamthitta@preethi.in
86. Perambavoor, Ph:0484-2595723. cccperambavoor@preethi.in
87. Thalassery, Ph:0490-2341761. cccthalassery@preethi.in
88. Thodupuzha, Ph:0486-2220292. cccthodupuzha@preethi.in
89. Thrissur, Ph:0487-2380919. cccthrissur@preethi.in
90. Tripunithura, Ph:0484-2778728. ccctripunithura@preethi.in
91. Trivandrum, Ph:0471-2341216. ccctrivandrum@preethi.in

MAHARASTRA

92. Mumbai, Ph:99400 00005. cccmbai@preethi.in
 93. Pune, Ph:99400 00005. cccpune@preethi.in
 94. Nagpur, Ph:99400 00005. cccnagpur@preethi.in
 95. Kolapur, Ph:99400 00005. ccckolapur@preethi.in
 96. Nashik, Ph:99400 00005. cccnashik@preethi.in
- #### ODISHA
97. Bhubaneswar, Ph:0674 2597356. cccbhubaneswar@preethi.in
- #### GUJARAT
98. Ahmedabad, Ph:079 27544037. cccahmedabad@preethi.in



Postage
will be
paid by
addressee

BUSINESS REPLY CARD

Permit No.
BRP/58
Teynampet.

No postage
Stamp
necessary
if posted
in India

Philips Domestic Appliances India Ltd.

Futura Tech Park, Q4, 4th Floor, Block-B,
#334, Rajiv Gandhi Salai, (OMR), Sholinganallur,
Chennai - 600 119. INDIA

TERMS & CONDITIONS OF WARRANTY AND SERVICE POLICY

01. Retain the original sale bill and the Warranty Card, which should be shown to our Service Personnel for Scrutiny while sending your Juicer for service to our Authorised Service Centre.
02. The Warranty does not cover damage to the Juicer due to mishandling, negligence, breakage or cracking of plastic parts.
03. The Juice should not be tampered with or opened by any unauthorised person, **If the Juicer is tampered with or opened by any unauthorised person the Warranty is void.**
04. All repairs within the 1 year Warranty period (arising from manufacturing defects) will be done 'Free of Charge'. Our Customer Care Centres will not charge you for components or labour.
05. **Free service and replacement under Warranty does not affect the expiry date of the Warranty.**
06. For repairs after the expiry of the Warranty period, our Customer Care Centre will levy a nominal charge on components replaced. There is no labour charge and service is free.
07. **The Warranty is valid only in the country of purchase.**
08. **Defective components which are replaced both under 'Chargeable' & 'Free of Charge' basis, become the property of the Company.**
09. All our Customer Care Centres will have the MAXIMUM RETAIL PRICE of all Juicer spares.
10. You are entitled to a free check up every 6 months with any of our Customer Care Centres listed in this Manual.
11. **Warranty is void if the Juicer is used for any purpose other than domestic use.**

**Preethi[®]
essence**

SALE DETAILS

CJ 001

Date Sold: SI.No:

Purchaser's Name & Address(in BLOCK LETTERS):.....

.....

.....

.....

.....

.....

(To be returned to us through our dealer)

**Preethi[®]
essence**

CJ 001

WARRANTY CARD

Date Sold:SI. No:

Purchaser's Name & Address:

.....

Dealer's Name & Address:

.....

Signature:

Stamp: