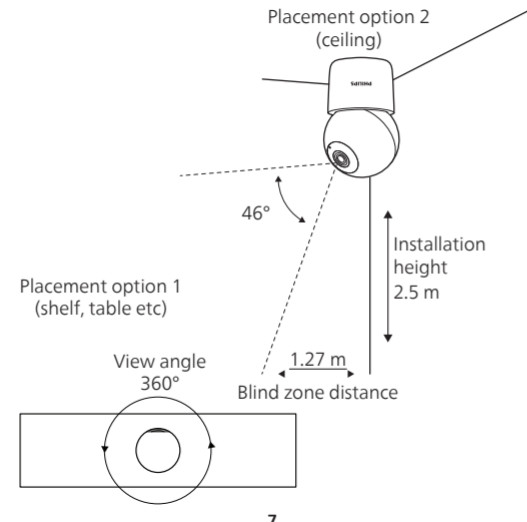
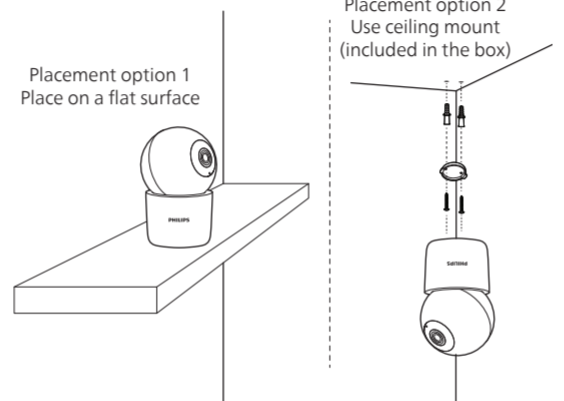




5. Where to place it



6. How to place it



7. Electromagnetic fields (EMF)

This Philips appliance complies with all applicable standards and regulations regarding exposure to electromagnetic fields.

8. Recycling

- Do not throw away the product with the normal household waste at the end of its life, but hand it in at an official collection point for recycling. By doing this, you help to preserve the environment.
- Follow your country's rules for the separate collection of electrical and electronic products. Correct disposal helps prevent negative consequences for the environment and human health.

9. Technical Specifications

Audio	Internal Speaker and microphone
Storage	Supports up to 128G Micro SD card (not included)
WiFi	IEEE 802.11 b/g/n, support 2.4GHz

10. Customer support

If you need any help setting up the device, please visit our support page for more information.
www.domesticappliances.philips.co.in/homesafety/support



PHILIPS
Home safety
Indoor camera
3000 series



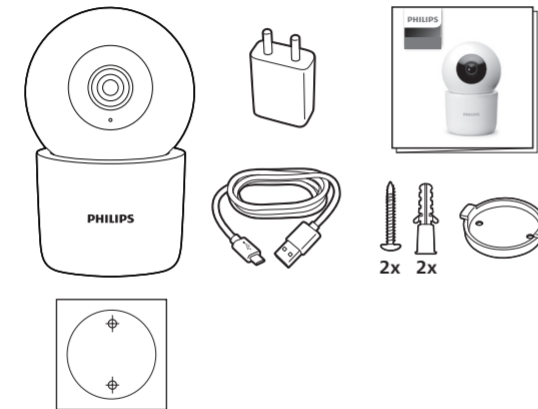
Thank you for purchasing a Philips Home Safety product. To get started, please download the Philips home safety app to set up and manage all your devices directly from your phone. Simply connect to your home Wi-Fi and enjoy total control at your fingertips.

1. Important information

- Do not handle adapters, plugs or the mains cord with wet hands.
- Make sure the wall or ceiling is solid enough to support the camera.
- Do not use the Indoor Camera outdoors.
- Only use certified USB adapters.
- When attaching the camera to a ceiling, only use the mount included in the box.
- CAUTION 5V DC ONLY.
- If the camera housing is damaged in any way, do not use.
- After setting up the camera, maintain an operating distance of at least 20 cm between the device and user.
- The camera has a WiFi module, 2.4GHz 802.11 b/g/n, with a maximum power output of 79.4mW EIRP.

1

2. What's in the box



2

3. Getting started

- Please have your Wi-Fi network name and password handy.
- Make sure your mobile device is running IOS 9 or higher or Android 4.1 or higher.
- Only connect to a 2.4GHz Wi-Fi network. (5GHz network not supported).

Download the **Philips Home Safety app**

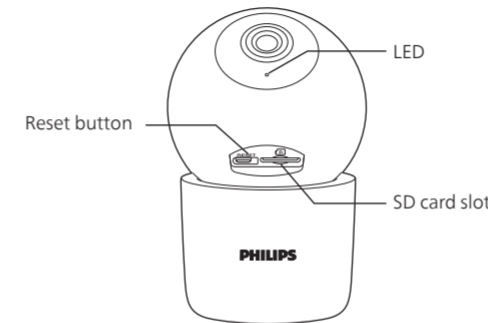


Scan the QR-Code to download the app



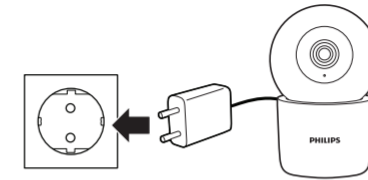
3

4. Setting up



4

Step 1: Connect the device to a power source.

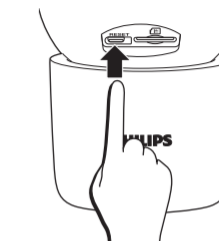


Step 2: If the reset button is not visible, rotate the upper part of the camera by hand.

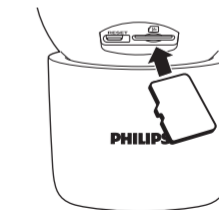


5

Step 3: Press the Reset button for 5 seconds to turn on the device.



Step 4: Optional: Insert the Micro SD card.



6